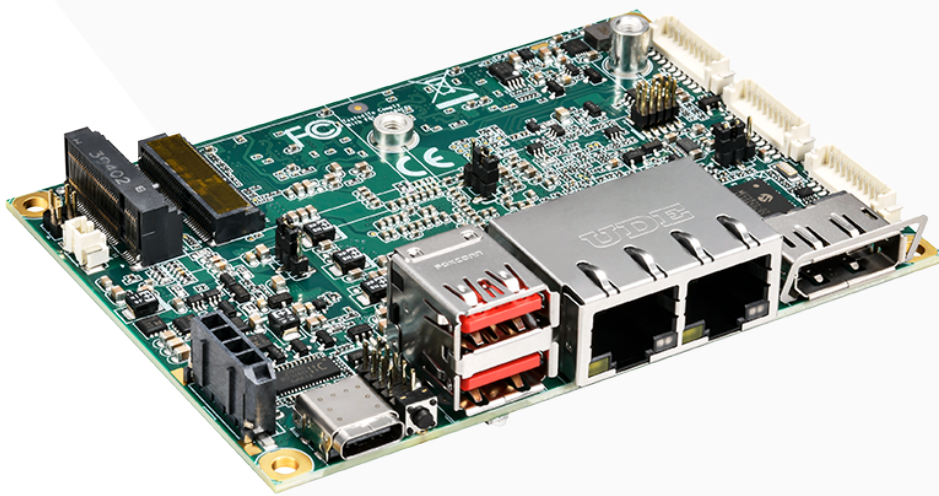


2.5"-SBC-AML/ADN



2.5" Single Board Computer with Intel® Atom® x7000(R)E Series, Intel® Core™ i3 N-Series & Intel® N-Series Processors

- Upgraded processing and graphics performance + faster AI inference capability
- Next-gen LPDDR5 memory with up to 4800 MT/s data transfer rate
- DP Alt Mode over USB-C support to carry video / audio, data & power over a single port
- Wide input voltage range for more application environments
- Hardware-based security for data protection and reliable authentication

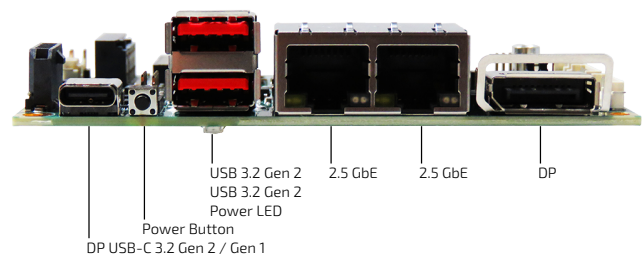
2.5" Single Board Computer w/ Intel® Atom® x7000(R)E Series, Core™ i3 N-Series & Intel® N-Series

2.5"-SBC-ADN is a 2.5" single board computer in Pico-ITX form factor powered by Intel® Atom® x7000RE Series (codenamed Amston Lake), Intel® Atom® x7000E Series, Intel® Core™ i3 N-Series and Intel® N-Series (codenamed Alder Lake N) processors integrated with Intel® UHD Graphics Gen12 as well as next-gen high-speed LPDDR5 memory. Thus, it can deliver upgraded performance,

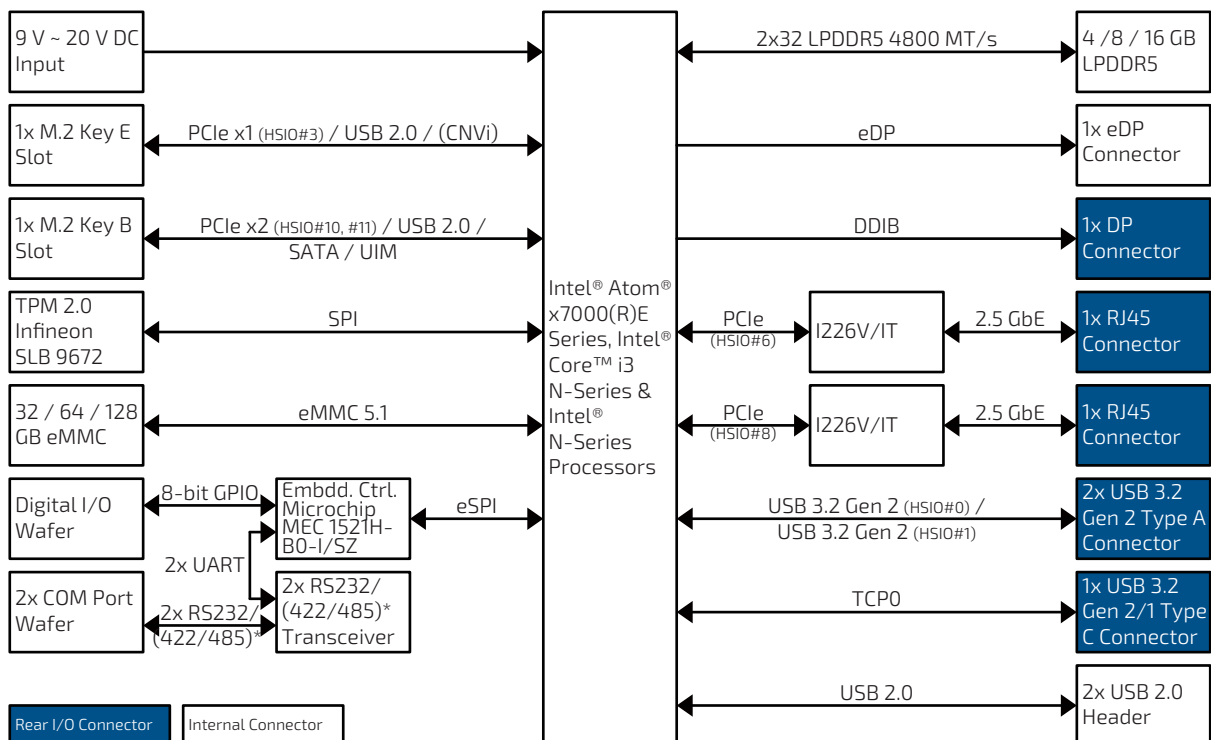
enhanced media transcoding and faster AI inference, making it an ideal baseboard to be integrated into an ultra-compact or portable IoT edge system or an all-in-one solution for a variety of applications, such as smart retail, industrial automation, healthcare, video processing and office automation.

- Intel® Atom® x7000(R)E Series Processors
- Intel® Core™ i3 N-Series Processors
- Intel® N-Series Processors
- 4 GByte / 8 GByte / 16 GByte LPDDR5 memory down
- 2x 2.5 GbE LAN for Ethernet
- 2x DP (1x full DP, 1x USB-C), 1x eDP for 3-display support
- 3x USB 3.2 Gen 2 / Gen 1 (2x Type A, 1x Type C), 2x USB 2.0
- 2x RS232 or 2x RS232/422/485 for serial device connection
- 4x DI, 4x DO for device / signal control
- 32 GByte / 64 GByte / 128 GByte eMMC for storage
- 1x M.2 Key B for SSD, WWAN or other possible expansion

- 1x M.2 Key E for WLAN, Bluetooth or other expansion
- TPM 2.0 support



Block Diagram



(*: optional)

SYSTEM	PROCESSOR (STANDARD)	Intel® Atom® x7211RE (Dual Core, 6M Cache, 1.0 / 3.2 GHz, 6 W TDP) Intel® Atom® x7433RE (Quad Core, 6M Cache, 1.5 / 3.4 GHz, 9 W TDP) Intel® Atom® x7835RE (Octa Core, 6M Cache, 1.3 / 3.6 GHz, 12 W TDP) Intel® Core™ i3-N305 (Octa Core, 6M Cache, 1.8 / 3.8 GHz, 9 W ← 15 W TDP) Intel® N97 (Quad Core, 6M Cache, 2.0 / 3.6 GHz, 12 W TDP)
	PROCESSOR (PROJECT BASE)	Intel® Atom® x7213RE (Dual Core, 6M Cache, 2.0 / 3.4 GHz, 9 W TDP) Intel® Atom® x7211E (Dual Core, 6M Cache, 1.0 / 3.2 GHz, 6 W TDP) Intel® Atom® x7213E (Dual Core, 6M Cache, 1.7 / 3.2 GHz, 10 W TDP) Intel® Atom® x7425E (Quad Core, 6M Cache, 1.5 / 3.4 GHz, 12 W TDP) Intel® N50 (Dual Core, 6M Cache, 1.0 / 3.4 GHz, 6 W TDP) Intel® N200 (Quad Core, 6M Cache, 1.0 / 3.7 GHz, 6 W TDP)
	MEMORY	4 GByte / 8 GByte / 16 GByte LPDDR5 4800 memory down
VIDEO	GRAPHICS DISPLAY INTERFACE	Intel® UHD Graphics Gen12 1x eDP (4096 x 2160 @ 60 Hz) 2x DP (4096 x 2160 @ 60 Hz, 1x Full-size DP on rear, 1x DP USB-C on rear)
	MULTIPLE DISPLAY	Triple Display
NETWORK CONNECTION	ETHERNET	2x 2.5 GbE LAN (RJ45 on rear, Intel® I226-V/IT, TSN support*)
PERIPHERAL CONNECTION	USB	2x USB 3.2 Gen 2 Type A (on rear) 1x USB 3.2 Gen 2 Type C (on rear, w/ DP & PD 5 V / 3 A, except Atom® x7000RE) 1x USB 3.2 Gen 1 Type C (on rear, w/ DP & PD 5 V / 3 A, only Atom® x7000RE) 2x USB 2.0 (by header)
	SERIAL PORT OTHER I/Os	2x RS232 (def.) / RS232/422/485 (opt.) (by header, Tx/Rx only for RS232 signal) 4x DI (by wafer) 4x DO (by wafer)
STORAGE & EXPANSION	eMMC M.2	32 GByte / 64 GByte / 128 GByte eMMC 1x M.2 Key B (Type 2242/3042/3052/2280, w/ PCIe x2 / USB 2.0 / SATA / UIM) 1x M.2 Key E (Type 2230, w/ PCIe x1 / USB 2.0 / CNVi**)
	SIM CARD HOLDER	1x SIM Card Holder (by Wafer)
POWER	INPUT VOLTAGE CONNECTOR	DC 9 V ~ 20 V 1x4-pin pitch 3.0 mm Wafer
FIRMWARE	BIOS WATCHDOG H/W MONITOR REAL TIME CLOCK SECURITY	AMI uEFI BIOS w/ 256 Mb SPI Flash Programmable WDT to generate system reset event Voltages, Temperatures Processor integrated RTC TPM 2.0 Support (Infineon SLB 9672)
SYSTEM CONTROL & MONITORING	BUTTON, SWITCH & INDICATOR	1x Power Button (on rear) 1x Power LED (Green, on board)
	FP HEADER	1x Header for Power Button, Reset Button, Power LED & SATA LED
SOFTWARE	OS SUPPORT	Windows 11, Windows 10, Linux
MECHANICAL	DIMENSION (L x W)	Pico-ITX (100 mm x 72 mm / 3.94" x 2.83")
ENVIRONMENTAL	OPERATING TEMPERATURE	0 °C ~ 60 °C / 32 °F ~ 140 °F (Standard) -40 °C ~ 85 °C / -40 °F ~ 185 °F (Extreme)
	STORAGE TEMPERATURE	-20 °C ~ 80 °C / -4 °F ~ 176 °F (Standard) -55 °C ~ 85 °C / -67 °F ~ 185 °F (Extreme)
	HUMIDITY	0 % ~ 95 %
COMPLIANCE	EMC & SAFETY	CE Class B, FCC Class B, ICES Class B, UKCA, UR (UL Recognized)

* TSN support for models with Atom® processors

** Atom® x7000RE Series processors do not support CNVi

Ordering Information

ARTICLE	ORDER CODE [#]	PROCESSOR	LAN CHIP	LPDDR5	eMMC	COM PORT	OP. TEMP.
	EMEA / AMER						
2.5"-SBC-ADN-1-i3-N305*	-	Intel Core i3-N305	Intel I226-V	16 GB	128 GB	2x RS232/422/485	0 ~ 60 °C
2.5"-SBC-ADN-3-N97	44013-ST-2001	Intel N97	Intel I226-V	8 GB	64 GB	2x RS232	0 ~ 60 °C
2.5"-SBC-ADN-4-N97	44013-ST-2002	Intel N97	Intel I226-V	8 GB	128 GB	2x RS232	0 ~ 60 °C
2.5"-SBC-ADN-5-i3-N305	44013-ST-2004	Intel Core i3-N305	Intel I226-V	8 GB	128 GB	2x RS232	0 ~ 60 °C
2.5"-SBC-ADN-6-N97*	44013-ST-2003	Intel N97	Intel I226-V	4 GB	64 GB	2x RS232	0 ~ 60 °C
2.5"-SBC-AML-0-x7211RE-XT	44013-XT-2009	Intel Atom x7211RE	Intel I226-IT	8 GB	64 GB	2x RS232	-40 ~ 85 °C
2.5"-SBC-AML-1-x7433RE-XT	44013-XT-2008	Intel Atom x7433RE	Intel I226-IT	8 GB	128 GB	2x RS232	-40 ~ 85 °C
2.5"-SBC-AML-2-x7835RE-XT	44013-XT-2006	Intel Atom x7835RE	Intel I226-IT	16 GB	128 GB	2x RS232	-40 ~ 85 °C
2.5"-SBC-AML-3-x7835RE-XT*	44013-XT-2007	Intel Atom x7835RE	Intel I226-IT	16 GB	128 GB	2x RS232/422/485	-40 ~ 85 °C

*: Project based

[#]: For ordering code for APAC, contact your local account manager.

Contact your account manager for other processor variants, LPDDR5 variants, eMMC variants, COM port configuration or operating temperature ranges.

Accessories

NO.	ARTICLE	ORDERING CODE		DESCRIPTION
		EMEA / AMERICA	APAC	
1	DC IN CABLE*	1064-2433	0C502000004220L	2.5 mm DC Jack to H-300F-XX 1x4P 3.0 mm pitch, L = 300 mm
2	COM PORT CABLE	1064-2427	0C502000005130L	1x10P 1.25 mm pitch to DB9 connector, L = 350 mm
3	DIO CABLE	1065-3137	0C502000003360L	D-SUB-9P (Female) to MX51021-10P 1x10P 1.25 mm pitch, L = 200 mm
4	USB CABLE (2 PORT)	1069-7893	0C5020003000010L	2x5P 2.0 mm pitch to 2x USB 2.0 Type A female w/ bracket, L = 27 cm
5	ADAPTER	1069-3055	0I0902G5T60A101L	Input: AC 90 V ~ 264 V, output: DC 12 V @ 5 A Max. 60 W
6	SCREW COPPER PILLAR KIT	TBD	0ZHK35SBC0000001	4x 39.6 mm pillar, 3x 19L pillar, 4x 15L screw, 1x 5L screw
7	HEATSINK	1074-8498	0ZHK25SADN000001	Al heatsink w/ pads, 2x standoff, 1x screw, for 2.5"-SBC-ADN
8	HEATSINK	1074-8828	0ZHK25SAML000001	Al +Cu heatsink w/ pads, 2x standoff, 1x screw, for 2.5"-SBC-AML

(*: standard supplied accessories for single-piece box packing)

Starter Kits

ARTICLE	ORDERING CODE		DESCRIPTION
	EMEA / AMERICA	APAC	
STARTER KIT FOR 2.5"-SBC-ADN	1074-6165	0ZHK25SADN000002	Including above accessories table No. 1 ~ 6 & 7
STARTER KIT FOR 2.5"-SBC-AML	1074-7412	0ZHK25SAML000002	Including above accessories table NO. 1 ~ 6 & 8

Global Headquarters

Kontron Europe GmbH

Gutenbergstraße 2
85737 Ismaning, Germany
Tel.: + 49 821 4086-0
info@kontron.com

www.kontron.com