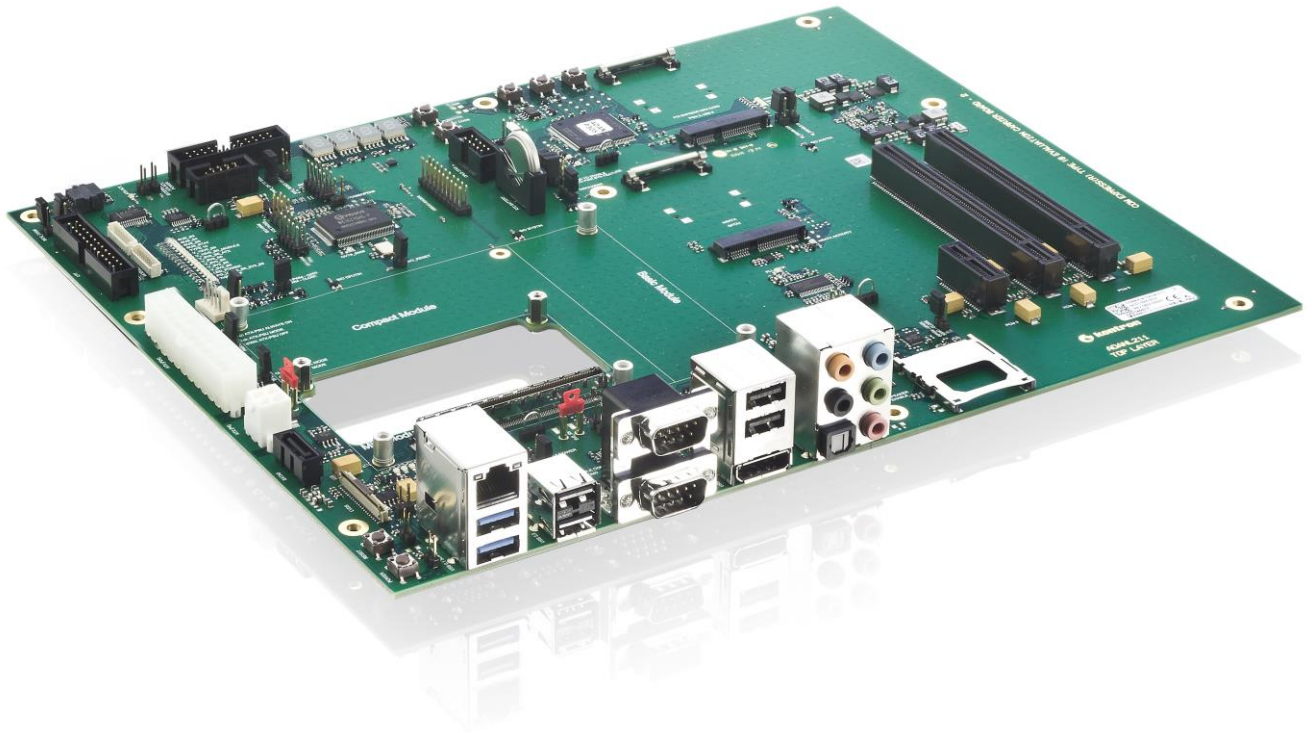


# COMe Eval Carrier2 T10



## COM Express® Type10 Evaluation Carrier Gen2

- ▶ COM Express® Rev. 2.1, Pin-out Type 10
- ▶ ATX Form Factor (305mm x 244mm)
- ▶ DisplayPort and LVDS
- ▶ Full support for Type 10 featureset

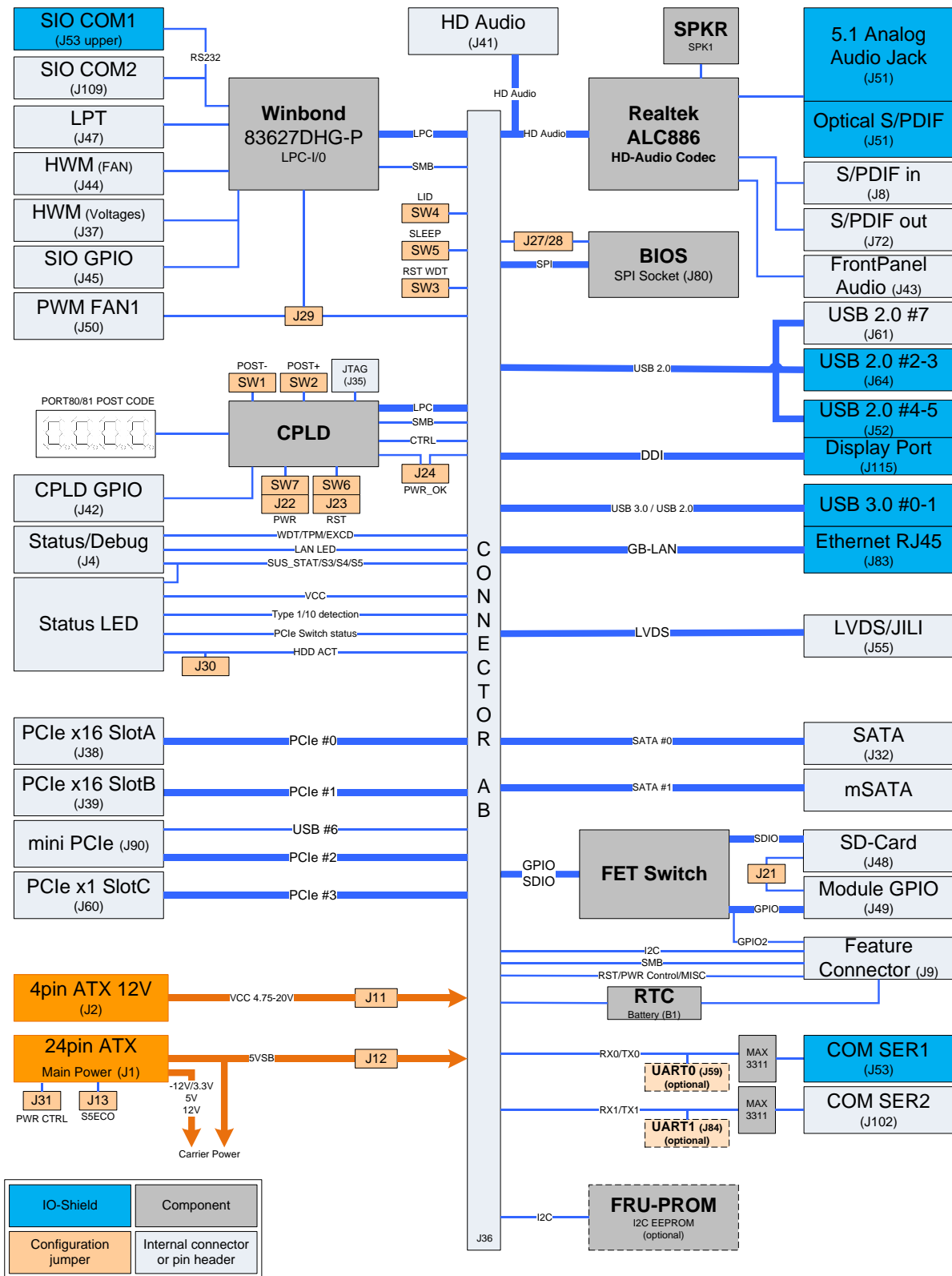
## TECHNICAL INFORMATION

Product Definition	
Product	COM Express® Evaluation Carrier Type10
Form Factor	ATX
Part Numbers	34101-0000-00-2

PCI Express	2x PCI Express x16 (electrically x1) 1x PCI Express x1 1x miniPCIe Socket (full size, half size option)
SATA	1x SATA 1x mSATA
DDI	1x DisplayPort 1x LVDS (40pin JILI FFC40 connector)
Ethernet	1x RJ45
USB	2x USB 3.0/2.0 4x USB 2.0 1x USB to miniPCIe socket 1x USB on pin-header
Serial	2x DSUB-9: COM #0 from COMe connector COM #1 from Super I/O Winbond 2x Pin-header: COM #1 from COMe connector COM #2 from Super I/O Winbond
Winbond Super-IO	LPT pin-header COM1/COM2 DSUB9 rear panel connector PWM FAN and Hardware Monitor connectors (FAN/Voltage)
HD-Audio Codec	Analog Audio Jack with integrated optical S/PDIF S/PDIF input/output Front Panel HD Audio connector
GPIO	Pin-header for module GPIO and Winbond LPC-I/O GPIO
FAN	4pin PWM Connector standard and 3pin Connector solution to connect Active Cooler

<b>BIOS</b>	SPI Socket
<b>Various</b>	<p>Kontron feature connector</p> <p>Front panel connectors (HDD Act., Reset and Power Switch)</p> <p>Status LED</p> <p>SD-Card Socket</p> <p>4 digit Port 80/81 POST code display with POST code control</p> <p>LID and SLEEP support</p>
<b>Power</b>	Input voltage to 4.75-20V
<b>Environmental Specifications</b>	<p>Operating temperature grade: 0°C to 60°C</p> <p>Non-operating -40°C to +85°C</p> <p>Humidity: 93% relative Humidity at 40°C, non-condensing (acc. to IEC 60068-2-78)</p> <p>RoHS-II compliant</p>

# BLOCK DIAGRAM



## GLOBAL HEADQUARTERS

### Kontron Europe GmbH

Gutenbergstraße 2

85737 Ismaning, Germany

Tel.: + 49 821 4086-0

Fax: + 49 821 4086-111

[info@kontron.com](mailto:info@kontron.com)

[www.kontron.com](http://www.kontron.com)