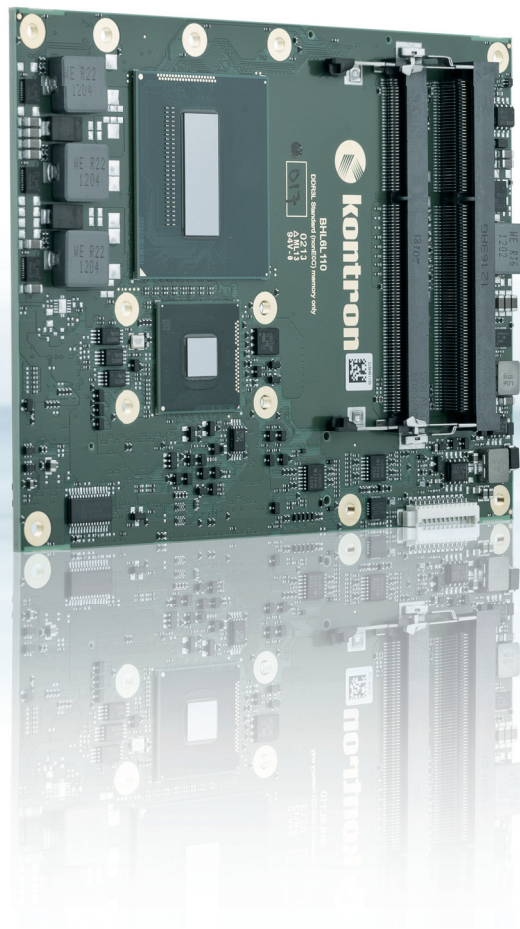


# COMe-bHL6XT

---



## COM Express® BASIC TYPE 6 WITH 4th GENERATION Intel® Core™ PROCESSORS

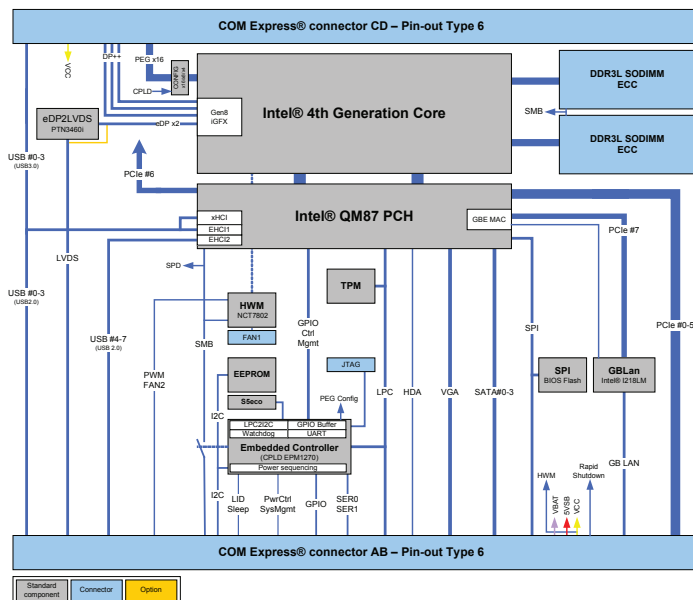
- ▶ Intel® 4th Generation Core™ series with QM87
- ▶ ECC DDR3L, industrial temperature grade
- ▶ triple independent display support with daisy-chaining and 4k resolutions

POSSIBILITIES START HERE



## TECHNICAL INFORMATION

COMPLIANCE	COM Express® basic, Pin-out Type 6
DIMENSIONS (H X W X D)	125 x 95 mm
CPU	Intel® Core™ i7-4700EQ, Intel® Core™ i5-4422E
CHIPSET	Intel® Mobile QM87
MAIN MEMORY	2x DDR3L-1600 ECC SO-DIMM up to 2x 8 GByte
GRAPHICS CONTROLLER	Intel® HD4600 (GT2)
ETHERNET CONTROLLER	Intel® I218LM
ETHERNET	10/100/1000 MBit Ethernet
HARD DISK	QM87: 3x SATA 6Gb/s, 1x SATA 3Gb/s
FLASH ONBOARD	-
PCI EXPRESS® / PCI SUPPORT	7x PCIe x1, 1x PEG x16
PANEL SIGNAL	DDI1: DP++, DDI2: DP++, DDI3: DP++, VGA: Yes, LVDS: Dual Channel 18/24 bit
USB	4x USB 3.0 + 4x USB 2.0
SERIAL	2x serial interface (RX/TX only)
AUDIO	Intel® High Definition Audio
COMMON FEATURES	SPI, LPC, SMB, Fast I <sup>2</sup> C, Staged Watchdog, RTC, MARS
BIOS	Phoenix Secure Core UEFI
HUMIDITY	93 % relative Humidity at 40° C, non-condensing (according to IEC 60068-2-78)
OPTIONS	1x PCIe x1 additional w/o onboard LAN, vPRO (AMT/TXT/AES Support), eDP instead of LVDS
POWER MANAGEMENT	ACPI 4.0, S5 Eco
POWER SUPPLY	ATX or 12 V Single Supply Power
SPECIAL FEATURES	POSCAP capacitors, Trusted Platform Module TPM 1.2, 4k Resolutions, Flexible PEG lane configuration by Setup Option
OPERATING SYSTEM	Windows® 8, Windows® 7, WEBS, WES7, Linux, VxWorks
TEMPERATURE	Industrial temperature: -40° C to +85° C operating, -40° C to +85° C non-operating



## CORPORATE OFFICES

### EUROPE, MIDDLE EAST & AFRICA

Lise-Meitner-Str. 3-5  
86156 Augsburg  
Germany  
Tel.: +49 821 4086 0  
Fax: +49 821 4086 111  
info@kontron.com

### NORTH AMERICA

14118 Stowe Drive  
Poway, CA 92064-7147  
USA  
Tel.: +1 888 294 4558  
Fax: +1 858 677 0898  
info@us.kontron.com

### ASIA PACIFIC

1-2F, 10 Building, No. 8 Liangshuihe 2nd Street,  
Economic & Technological Development Zone,  
Beijing, 100176, P.R.China  
Tel.: +86 10 63751188  
Fax: +86 10 83682438  
info@kontron.cn