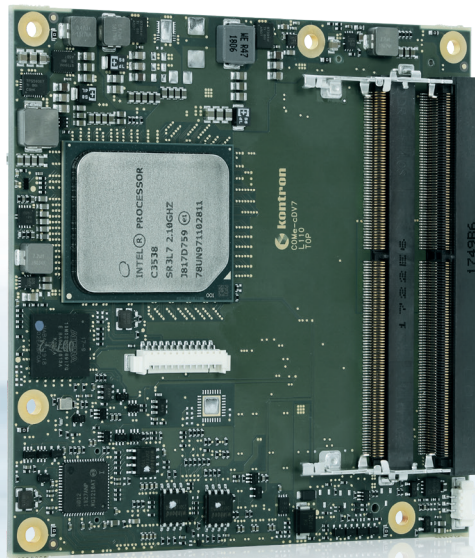


COMe-cDV7



COM Express® Compact Type 7 with Intel Atom® C3000 SoC Processors

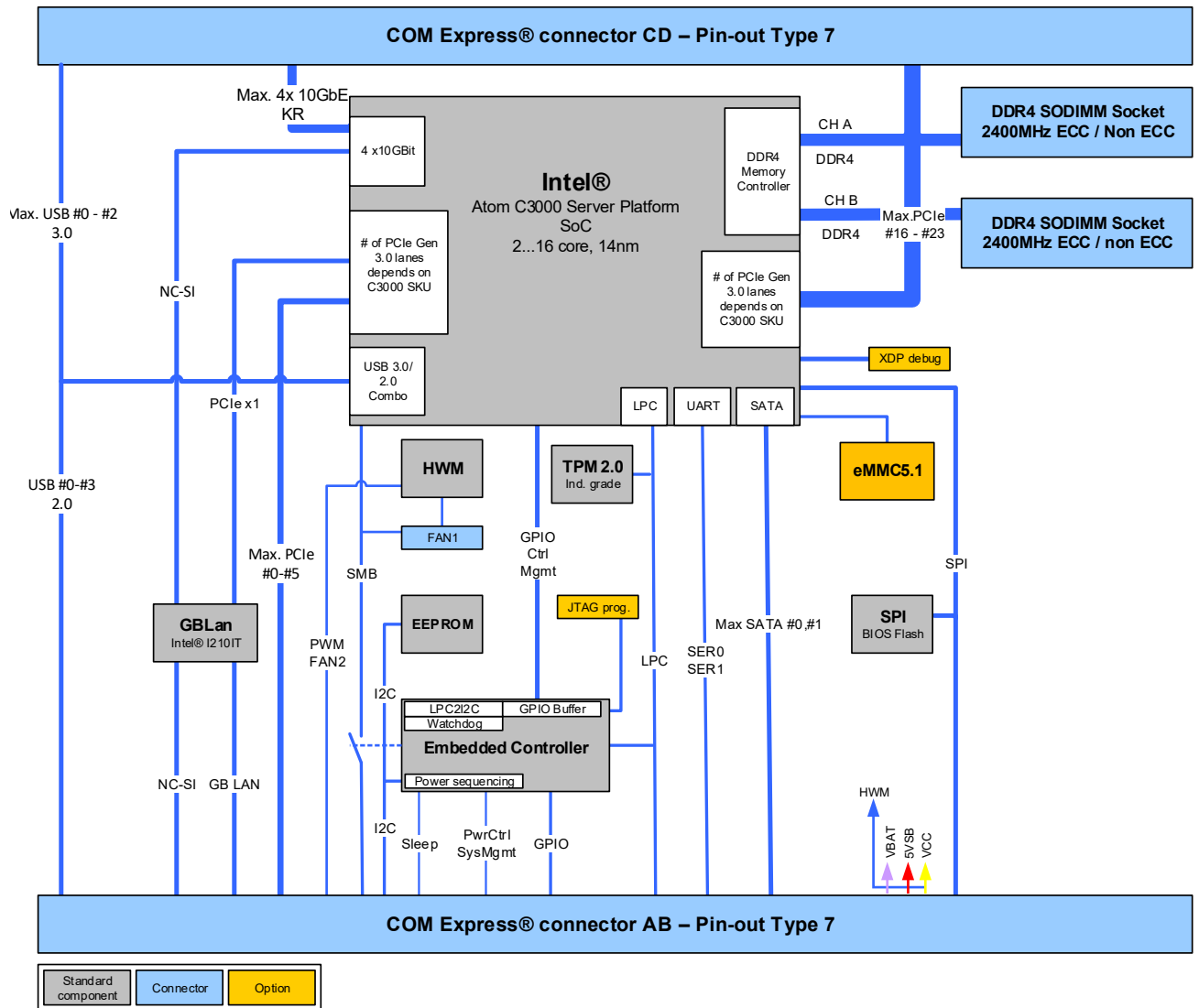
- ▶ Entry level server-grade platform
- ▶ Quad 10 GbE interfaces
- ▶ High-speed connectivity PCIe 3.0, SATA3, USB 3.0
- ▶ Industrial grade versions

POSSIBILITIES START HERE

► TECHNICAL INFORMATION

COMPLIANCE	COM Express® Compact, Pin-out Type 7 - COM.0 R3.0
DIMENSIONS (H x W)	95 mm x 95 mm
CPU (SoC)	<p>Commercial temperature: Intel Atom® Processor C3958, 16C, 2.0GHz, 31W TDP Intel Atom® Processor C3858, 12C, 2.0GHz, 25W TDP Intel Atom® Processor C3758, 8C, 2.2GHz, 25W TDP Intel Atom® Processor C3558, 4C, 2.2GHz, 16W TDP Intel Atom® Processor C3538, 4c, 2.1 GHz, 16W TDP</p> <p>Industrial temperature: Intel Atom® Processor C3808, 12C, 2.0 GHz, 25 W TDP Intel Atom® Processor C3708, 8C, 1.7 GHz, 17 W TDP Intel Atom® Processor C3508, 4C, 1.5 GHz, 11 W TDP Intel Atom® Processor C3308, 2C, 1.6 GHz, 9 W TDP</p>
MAIN MEMORY	2x DDR4 SODIMM for up to 64 GByte ECC / non ECC
ETHERNET CONTROLLER	Intel® I210IT Intel® Quad 10GbE LAN integrated in SoC
ETHERNET	1x 10/100/1000 MBit Ethernet Up to 4x 10GbE Interfaces (KR) – depending on C3000 SKU NC-SI support
STORAGE	Up to 2x SATA3, 6Gb/s
FLASH ONBOARD	eMMC 5.1 up to 256GB TLC (build option)
PCI Express®	Up to 14x PCIe 3.0 lanes - depending on C3000 SKU
USB	Up to 3x USB 3.0, 4x USB 2.0
SERIAL	2x serial interface (RX/TX only)
COMMON FEATURES	SPI, LPC, SMB, Fast I²C, Staged Watchdog, RTC
ON REQUEST	eMMC size, additional 2 SODIMM sockets for overall 4 SODIMM sockets
POWER MANAGEMENT	ACPI 4.0
POWER SUPPLY	ATX, 8.5 V – 20 V Wide Range, Single Supply Power
SPECIAL FEATURES	TPM 2.0
HUMIDITY	93 % relative at 40 °C, non-condensing (according to IEC 60068-2-78)
TEMPERATURE	Commercial grade Version Temperature 0 °C - 60 °C, Industrial grade Versions -40 °C to +85 °C
BIOS	AMI UEFI
OPERATING SYSTEMS	Linux, Windows® Server 2012/2016
SUPPORTED MODULES	COMe-cDV7 xxxxx commercial grade COMe-cDV7 E2 xxxxx industrial grade

► BLOCK DIAGRAM



► Global Headquarters

Kontron S&T AG

Lise-Meitner-Str. 3-5
 86156 Augsburg, Germany
 Tel.: + 49 821 4086 0
 Fax: + 49 821 4086 111
 info@kontron.com
 www.kontron.com