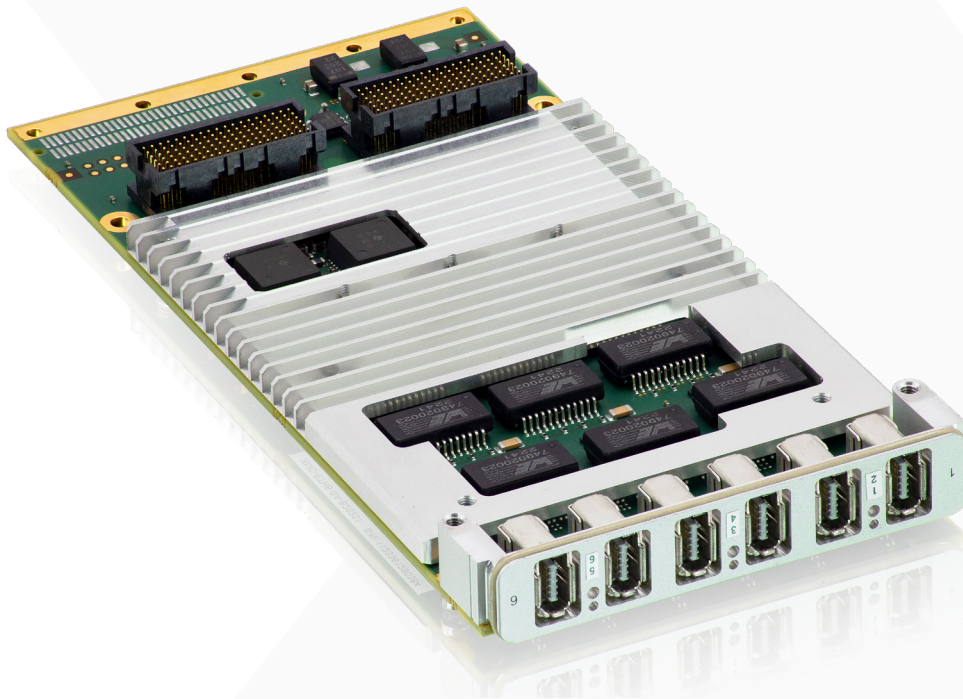


XMC-ETH6



Six ports 1G/2.5G Ethernet Mezzanine Card Four 1G/2.5G Base-T and Two 1G Base-T or –SX ports

- Six independent Ethernet controllers
- Four 1G/2.5G i225 controllers supporting TSN/IEEE1388 PTP
- Robust, High EMC resistance IEC 61076 standard Harting ix front connectors
- PCIe Gen.3 XMC VITA42 and VITA61 build options
- Air-Cooled and Rugged Conduction-Cooled versions

Six 1G/2.5G Ethernet ports Mezzanine Card

Kontron's XMC-ETH6 is a very high-performance Gigabit Ethernet XMC designed to expand the networking capability of any VPX or VME Single Board Computer. The XMC-ETH6 provides four independent 1G/2.5G ports as well as two independent 1G copper ports.

On the air-cooled version, the front Ethernet connectors comply with IEC 'IX' Ethernet industrial standard and feature easy-locking, enhanced robustness as well as an improved level of EMC resistance.

The XMC-ETH6 comes with an 8 ports 8 lanes PCIe Gen3 switch

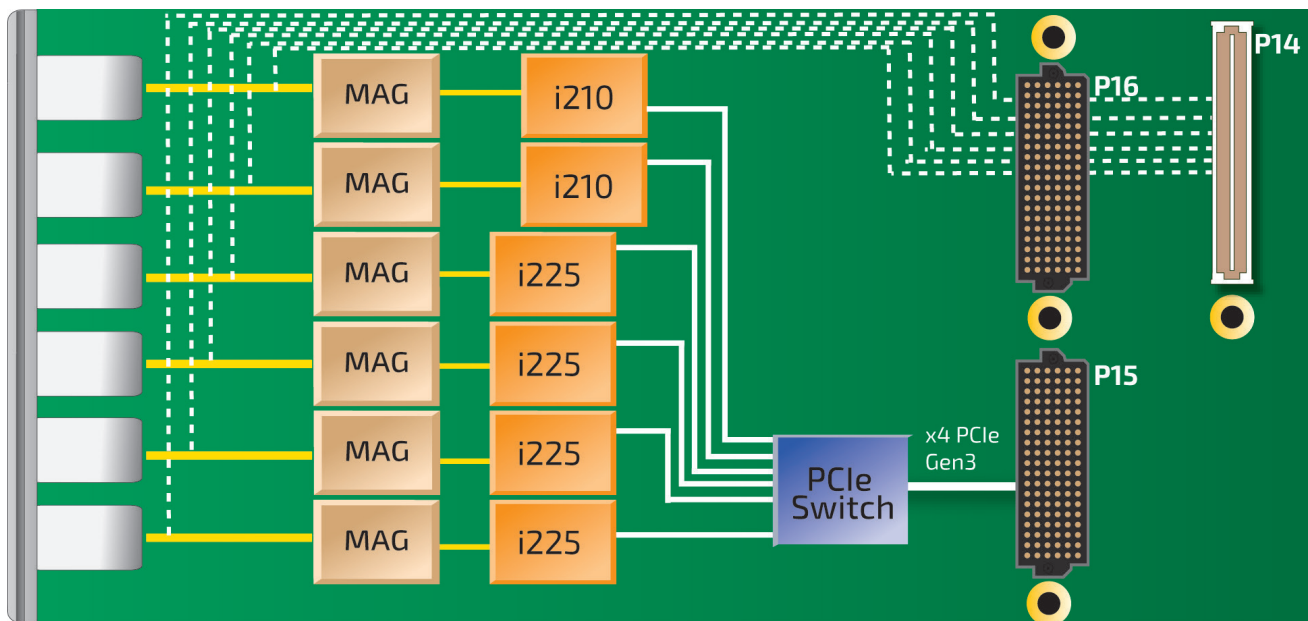
which allows for multiple configurations using up to four Intel i225 supporting TSN/IEEE1388 PTP and up to two Intel i210 Ethernet controllers featuring a maximum of six simultaneous 1000BASE-T ports.

Its rugged conduction-cooled design makes the XMC-ETH6 ideally suited for harsh environments such as defense or transportation applications.

A version of this board is also available on demand in a 3U VPX format featuring the same interfaces.

Please contact Kontron at sales.KFR@kontron.com.

Block Diagram



	SA- STANDARD AIR COOLED	RC - RUGGED CONDUCTION-COOLED COMPLIANT WITH TYPE 1 PLUG-IN UNIT 2 LEVEL MAINTENANCE AS PER VITA48.0 AND VITA48.2 STANDARDS
CONFORMAL COATING	Optional	Standard
AIRFLOW	tbd	n.a.
COOLING METHOD	Convection	Conduction
OPERATING TEMPERATURE	0 °C to +55 °C	-40 °C to +70 °C
STORAGE TEMPERATURE	-40 °C to +85 °C	-50 °C to +100 °C
VIBRATION SINE (OPERATING)	20-2000 Hz - 2 g	20-2000 Hz - 5 g
RANDOM	VITA 47-Class V1	VITA 47-Class V3
SHOCK (OPERATING)	20 g/11 ms Half Sine	40 g/11 ms Half Sine
ALTITUDE (OPERATING)	-1.500 to 60.000 ft	-1.500 to 60.000 ft
RELATIVE HUMIDITY	90% without condensation	95% without condensation

Ordering Information

ARTICLE	PART NO.	DESCRIPTION
XMC-ETH6-SA100	1073-7763	3U XMC -Air-Cooled 'SA' (0°C to 55°C) XMC VITA42 12mm connectors Six 1000BASE-T ports on Harting IX front connectors
XMC-ETH6-RC120	1073-7761	3U XMC -Conduction-Cooled 'RC4' (-40°C to +85°C) conformal coating XMC VITA42 12mm connectors No Front panel connectors

Contact us for other variants or form factor.

Your Contact

Kontron France

150 rue Marcellin Berthelot
ZI de Toulon-Est - BP 244
83078 Toulon Cedex 9
Tel.: +33 4 98 16 34 00
sales.KFR@kontron.com

www.kontron.com

